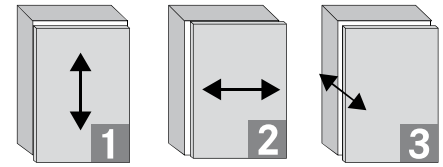
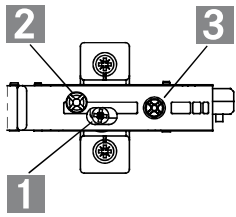


TIOMOS

Mounting plates



(HV) Height adjustment
+/- 2 mm

(SV) Side adjustment
+/- 2 mm

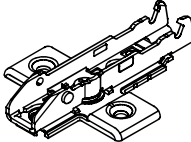
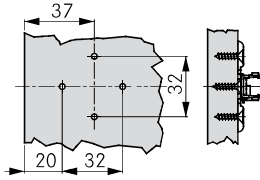
(TV) Depth adjustment
+3/-2 mm

All adjustments can be carried out independently of each other.

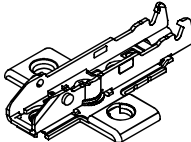
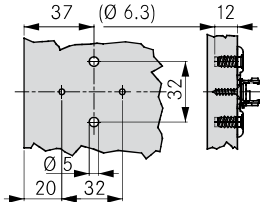
ORDER INFORMATION

2

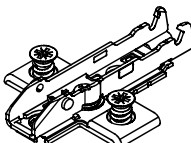
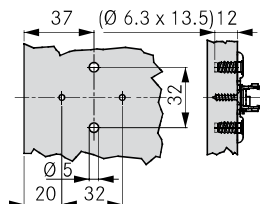
1D CROSS MOUNTING PLATE, 4-POINT FIXING

For screw fixing	37/32	Height	Item No.
<ul style="list-style-type: none"> Steel, nickel-plated Fixing with wood screws Ø 3.5 x 15 mm With convenient height adjustment (HV) via worm gear 		0	F058139746
		2	F058139747
		3	F058139748
		3.5	F058139749

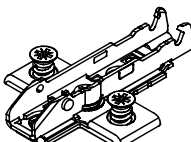
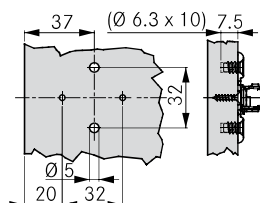
1D CROSS MOUNTING PLATE, 4-POINT FIXING

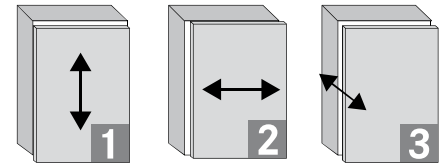
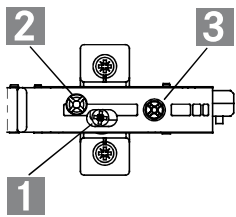
For Euro screws	37/32	Height	Item No.
<ul style="list-style-type: none"> Steel, nickel-plated Fixing with Euro screws Ø 6.3 mm With convenient height adjustment (HV) via worm gear 		0	F058139756
		2	F058139757
		3	F058139758
		3.5	F058139759

1D CROSS MOUNTING PLATE, 4-POINT FIXING

With pre-assembled Euro screws (13.5 mm)	37/32	Height	Item No.
<ul style="list-style-type: none"> Steel, nickel-plated Fixing with pre-assembled Euro screws With convenient height adjustment (HV) via worm gear 		0	F058139761
		2	F058139762
		3	F058139763
		3.5	F058139764

11D CROSS MOUNTING PLATE, 4-POINT FIXING, FOR TWIN APPLICATION

With pre-assembled Euro screws (10 mm)	37/32	Height	Item No.
<ul style="list-style-type: none"> Steel, nickel-plated Fixing with pre-assembled Euro screws With convenient height adjustment (HV) via worm gear For twin application 		0	F058139863
		2	F058139864
		3	F058139865
		3.5	F058139866



(HV) Height adjustment
+/- 2 mm

(SV) Side adjustment
+/- 2 mm

(TV) Depth adjustment
+3/-2 mm

All adjustments can be carried out independently of each other.

ORDER INFORMATION

1D CROSS MOUNTING PLATE, 4-POINT FIXING

For press fitting	37/32	Height	Item No.
<ul style="list-style-type: none"> Steel, nickel-plated Fixing with Ø 10 mm dowels With convenient height adjustment (HV) via worm gear Do not use a hammer for inserting the mounting plate 		0	F058139751
		2	F058139752
		3	F058139753
		3.5	F058139754

1D CROSS MOUNTING PLATE, 4-POINT FIXING

For screw fixing	28/32	Height	Item No.
<ul style="list-style-type: none"> Steel, nickel-plated Fixing with wood screws Ø 3.5 x 15 mm With convenient height adjustment (HV) via worm gear 		0	F058139796
		2	F058139797
		3	F058139798
		3.5	F058139799

1D CROSS MOUNTING PLATE, 4-POINT FIXING

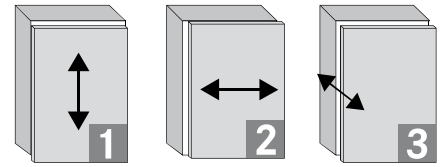
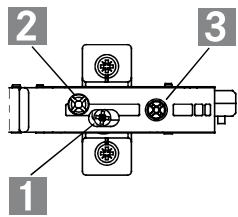
With pre-assembled Euro screws (13.5 mm)	28/32	Height	Item No.
<ul style="list-style-type: none"> Steel, nickel-plated Fixing with pre-assembled Euro screws With convenient height adjustment (HV) via worm gear 		0	F058139811
		2	F058139812
		3	F058139813
		3.5	F058139814

1D CROSS MOUNTING PLATE, 4-POINT FIXING

For press fitting	28/32	Height	Item No.
<ul style="list-style-type: none"> Steel, nickel-plated Fixing with Ø 10 mm dowels With convenient height adjustment (HV) via worm gear Do not use a hammer for inserting the mounting plate 		0	F058139801
		2	F058139802
		3	F058139803
		3.5	F058139804

TIOMOS

Mounting plates



(HV) Height adjustment
+/- 2 mm

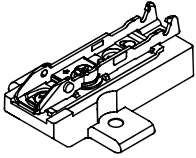
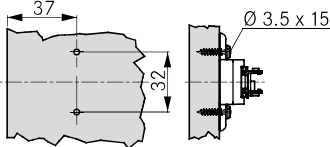
(SV) Side adjustment
+/- 2 mm

(TV) Depth adjustment
+3/-2 mm

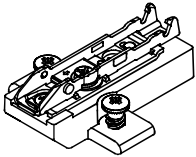
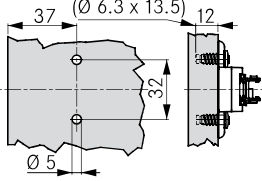
All adjustments can be carried out independently of each other.

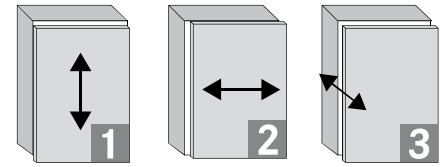
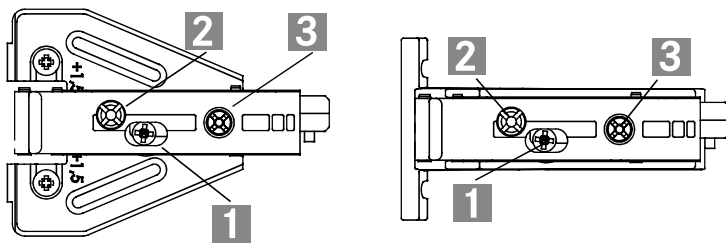
ORDER INFORMATION

1D CROSS MOUNTING PLATE, 2-POINT SCREW FIXING

For screw fixing	37/32	Height	Item No.
<ul style="list-style-type: none"> Zamak/steel, nickel-plated Fixing with wood screws (3.5 x 15 mm) With convenient height adjustment (HV) via worm gear 		6	F058139892
		8	F058139886
		9	F058139887
		9.5	F058139888
		12	F058139893
		14	F058139889
		15	F058139890
		15.5	F058139891
		19	F058139894
		21	F058139895

1D CROSS MOUNTING PLATE, 2-POINT FIXING

With pre-assembled Euro screws (13.5 mm)	37/32	Height	Item No.
<ul style="list-style-type: none"> Zamak/steel, nickel-plated Fixing with pre-assembled Euro screws With convenient height adjustment (HV) via worm gear 		6	F058139873
		8	F058139880
		9	F058139881
		9.5	F058139882
		12	F058139874
		14	F058139883
		15	F058139884
		15.5	F058139885
		19	F058139875
		21	F058139896



(HV) Height adjustment
+/- 2 mm

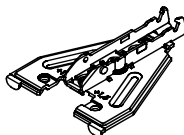
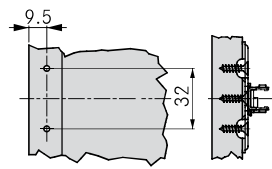
(SV) Side adjustment
+/- 2 mm

(TV) Depth adjustment
+3/-2 mm

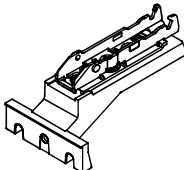
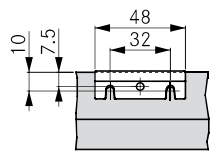
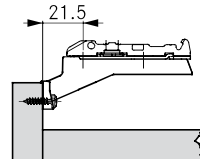
All adjustments can be carried out independently of each other.

ORDER INFORMATION

1D DELTA MOUNTING PLATE FOR FRAME CONSTRUCTIONS, 4-POINT FIXING

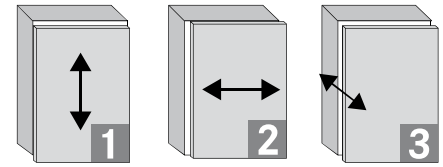
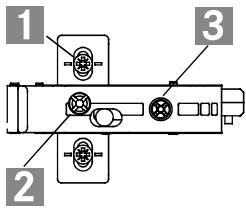
For screw fixing	9.5/32	Height	Item No.
<ul style="list-style-type: none"> Steel, nickel-plated Fixing with wood screws Ø 3.5 x 15 mm With convenient height adjustment (HV) via worm gear 		1.5	F058139825
		3.5	F058139826
		4.5	F058139827
		5	F058139828

INSET BEADED MOUNTING PLATE FOR FRAME CONSTRUCTIONS, 3-POINT FIXING

For screw fixing	10/32	Height	Item No.
<ul style="list-style-type: none"> For inset doors To be used with hinges with cranking 9.5 Steel/Zamak, nickel-plated Fixing with pan head wood screws With convenient height adjustment (HV) via worm gear 		0	F058139831
			

TIOMOS

Mounting plates



(HV) Height adjustment
+/-2.5 mm

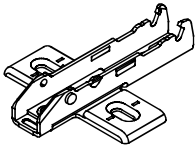
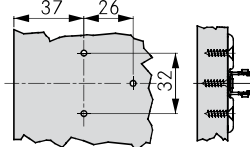
(SV) Side adjustment
+/- 2 mm

(TV) Depth adjustment
+3/-2 mm

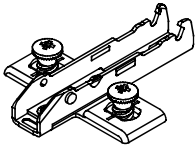
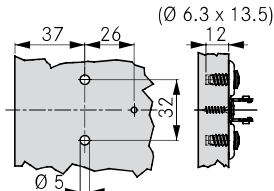
All adjustments can be carried out independently of each other.

ORDER INFORMATION

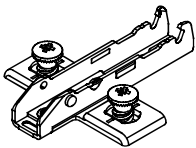
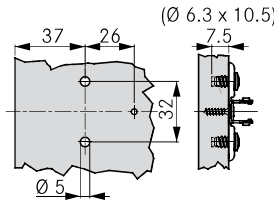
ECO CROSS MOUNTING PLATE, 3-POINT FIXING

For screw fixing	37/32	Height	Item No.
<ul style="list-style-type: none"> Steel, nickel-plated Fixing with wood screws Ø 3.5 x 15 mm Height adjustment (HV) via slot 		-2	F058139720
		0	F058139721
		2	F058139722
		3	F058139723
		3.5	F058139724

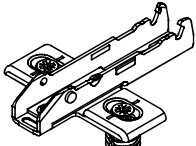
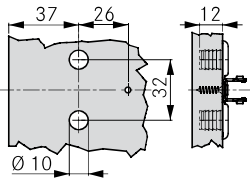
ECO CROSS MOUNTING PLATE, 3-POINT FIXING

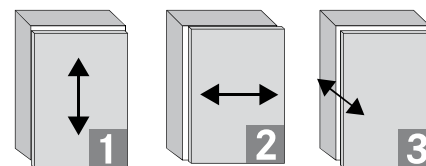
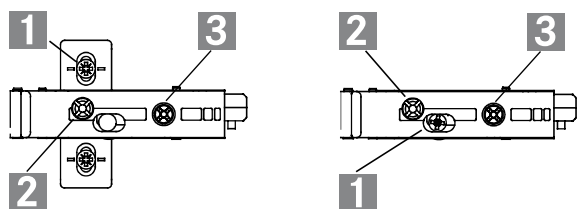
With pre-assembled pan head Euro screws (13.5 mm)	37/32	Height	Item No.
<ul style="list-style-type: none"> Steel, nickel-plated Fixing with pre-assembled pan head Euro screws Height adjustment (HV) via slot 		-2	F058139735
		0	F058139736
		2	F058139737
		3	F058139738
		3.5	F058139739

ECO CROSS MOUNTING PLATE, 3-POINT FIXING, FOR TWIN APPLICATION

With pre-assembled pan head Euro screws (10.5 mm)	37/32	Height	Item No.
<ul style="list-style-type: none"> Steel, nickel-plated Fixing with pre-assembled pan head Euro screws Height adjustment (HV) via slot For twin application 		-2	F058139857
		0	F058139858
		2	F058139859
		3	F058139860
		3.5	F058139861

ECO CROSS MOUNTING PLATE, 3-POINT FIXING

For press fitting	37/32	Height	Item No.
<ul style="list-style-type: none"> Steel, nickel-plated Fixing with Ø 10 mm dowels Height adjustment (HV) via slot Do not use a hammer for inserting the mounting plate 		-2	F058139725
		0	F058139726
		2	F058139727
		3	F058139728
		3.5	F058139729



(HV) Height adjustment
+/-2.5 mm

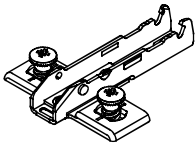
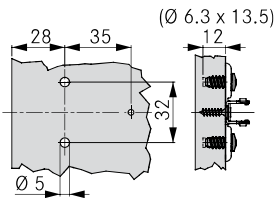
(SV) Side adjustment
+/- 2 mm

(TV) Depth adjustment
+3/-2 mm

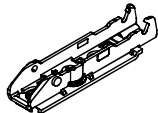
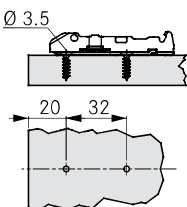
All adjustments can be carried out independently of each other.

ORDER INFORMATION

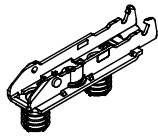
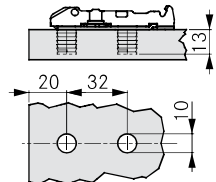
ECO CROSS MOUNTING PLATE, 3-POINT FIXING

With pre-assembled pan head Euro screws (13.5 mm)	28/32	Height	Item No.
<ul style="list-style-type: none"> Steel, nickel-plated Fixing with pre-assembled pan head Euro screws Height adjustment (HV) via slot 		-2	F058139785
		0	F058139786
		2	F058139787
		3	F058139788
		3.5	F058139789

1D LINEAR MOUNTING PLATE, 2-POINT FIXING

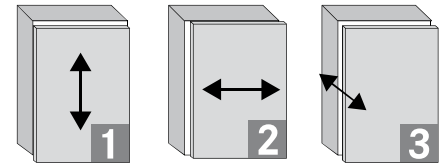
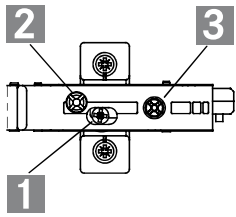
For screw fixing	20/32	Height	Item No.
<ul style="list-style-type: none"> Steel, nickel-plated Fixing with wood screws Ø 3.5 x 15 mm or with Euro screws Ø 6.3 x 13.5 mm With convenient height adjustment (HV) via worm gear 		0	F059139701
		2	F059139702
		3	F059139703
		3.5	F059139704

1D LINEAR MOUNTING PLATE, 2-POINT FIXING

For press fitting	20/32	Height	Item No.
<ul style="list-style-type: none"> Steel, nickel-plated Fixing with Ø 10 mm dowels With convenient height adjustment (HV) via worm gear Do not use a hammer for inserting the mounting plate 		0	F059139706
		2	F059139707
		3	F059139708
		3.5	F059139709

TIOMOS

Mounting plates



(HV) Height adjustment
+/- 2 mm

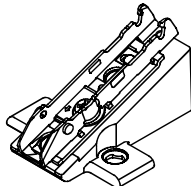
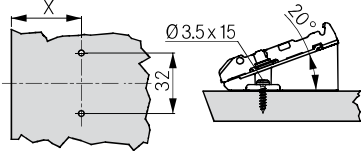
(SV) Side adjustment
+/- 2 mm

(TV) Depth adjustment
+3/-2 mm

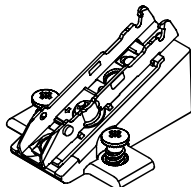
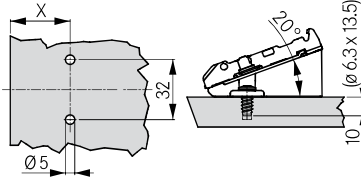
All adjustments can be carried out independently of each other.

ORDER INFORMATION

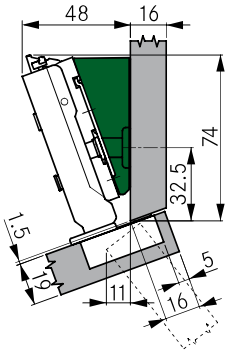
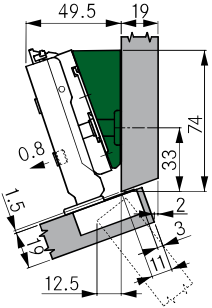
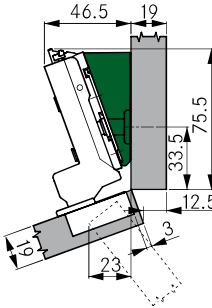
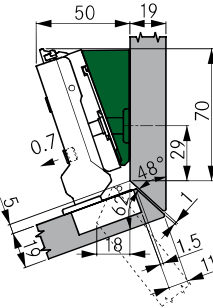
CROSS MOUNTING PLATE FOR 20° ANGLE, 2-POINT FIXING

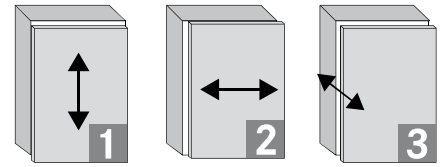
For screw fixing	X/32	Height	Item No.
<ul style="list-style-type: none"> For 20° angle applications Zamak/steel, nickel-plated Fixing with wood screws Ø 3.5 x 15 mm With convenient height adjustment (HV) via worm gear 		0	F058139902
		2	F058139903
		3	F058139904
		3.5	F058139905

CROSS MOUNTING PLATE FOR 20° ANGLE, 2-POINT FIXING

With pre-assembled Euro screws (13.5 mm)	X/32	Height	Item No.
<ul style="list-style-type: none"> For 20° angle applications Zamak/steel, nickel-plated Fixing with pre-assembled Euro screws With convenient height adjustment (HV) via worm gear 		0	F058139906
		2	F058139907
		3	F058139908
		3.5	F058139909

APPLICATION EXAMPLES FOR 20° ANGLE FITTINGS

Overlay application	Half overlay application	Corner application	Mitred application
			
Tiomos 110/cracking 3 20° cross mounting plate, height 2	Tiomos 110/cracking 3 20° cross mounting plate, height 3.5	Tiomos 110/cracking 19 20° cross mounting plate, height 0	Tiomos 110/cracking 9.5 20° cross mounting plate, height 3.5



(HV) Height
adjustment
+/-2 mm

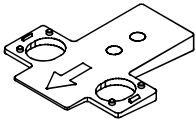
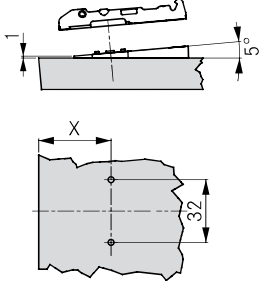
(SV) Side
adjustment
+/- 2 mm

(TV) Depth
adjustment
+3/-2 mm

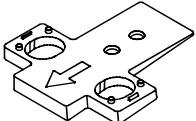
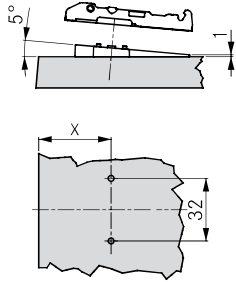
All adjustments can be carried out independently
of each other.

ORDER INFORMATION

+5° WEDGE

For screw fixing		37/32	Item No.
<ul style="list-style-type: none"> Zamak, nickel-plated For placing under cross mounting plates Up to triple stack (we recommend a trial fitting) 			F072135757

-5° WEDGE

For screw fixing		37/32	Item No.
<ul style="list-style-type: none"> Zamak, nickel-plated For placing under cross mounting plates Up to triple stack (we recommend a trial fitting) 			F072135758